



ESA-A75 TYPE WITHOUT RUBBER PROTECTION FOR SPRING.



ESA-2-A TYPE WITH \*ADDITIONAL RUBBER PROTECTION FOR SPRING.

## FEATURES

ESA A TYPE – (3"/75MM) RESTRAIN SPRING MOUNTINGS ARE USED IN MANY APPLICATION IN A MORE CRITICAL WHERE HIGHER DEFLECTION ARE REQUIRED.

ITS ROBUST HOUSING DESIGN WHICH LIMIT THE MOVEMENT OF THE EQUIPMENT FROM KNOCKING AND EFFECTIVE CONTROL OF EXCESS VERTICAL MOVEMENT OF ISOLATED EQUIPMENT CAUSED BY REDUCING IN EQUIPMENT LOAD DURING OPERATION WITH A GAP OF 8 TO 12 MM WITH EASY TO INSTALL CONCEPT HAVING MINIMUM BOLTING REQUIRED YET ACHIEVING HIGH EFFICIENCY.

MULTIPLE SPRINGS DESIGN ARE AVAILABLE BASE ON INDENT FOR ANY SPECIAL APPLICATION REQUIREMENT. FOR HIGHER DEFLECTION SPRING ISOLATORS (100MM AND ABOVE) ARE AVAILABLE BASED ON INDENT.

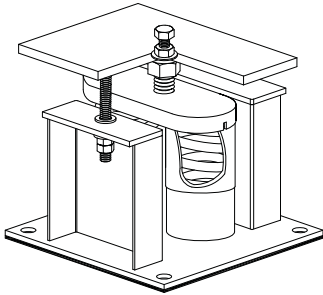
APPLICATION: COOLING TOWER, CHILLERS, AIR COOLED CONDENSERS, GENERATORS, PIPING AND ETC.

HOUSING ARE MADE OF FABRICATED STEEL AND SURFACE TREATMENT USING HOT-DIP GALVANIZED (ZINC) TO PREVENT CORROSION. SPRING ISOLATORS ARE COATED WITH FUSION BOUNDING HEAT TREATED EPOXY PAINT AND \*OPTIONAL WITH PROTECTED BY RUBBER COVER FOR ADDITIONAL PROTECTION FOR THE SPRINGS.

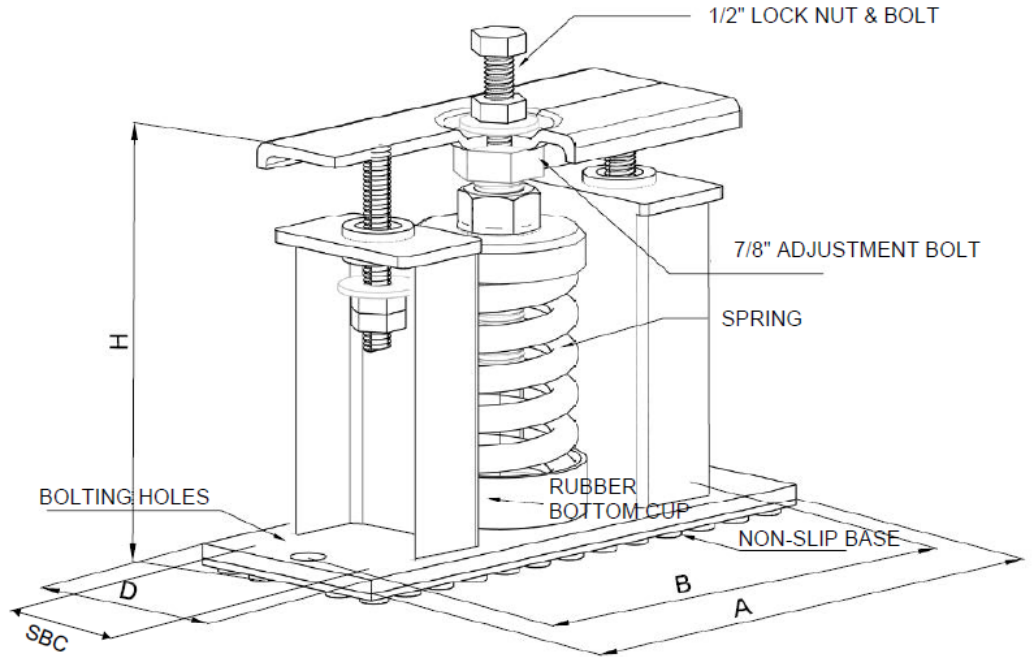
TOP CUP: HOT-DIP GALVANIZED (ZINC) METAL CAP WITH SCREW THREAD

BOTTOM CUP: RUBBER: NR, NBR.(BY DEFAULT - NR)

## CONSTRUCTION



ESA-2-A TYPE WITH ADDITIONAL RUBBER PROTECTION FOR SPRING.



SBC (FOR 4 BOLT HOLES DESIGN MOUNTING)- 50 AND 75 MM DEFLECTION ONLY

## DIMENSIONS

MODEL	LOADING (KGS)	DIMENSIONS (MM)					BOLT HOLES 4 X Ø (MM)	SPRING CONSTANT (KGS/MM)	DEFL (MM)	COLOUR CODE
		A	B	D	SBC	OPERATING HEIGHT				
ESA-200A75	160~220	260	222	200	162	330	16	60~82	RED	
ESA-250A75	200~275								PINK	
ESA-300A75	240~330								DK GREEN	
ESA-350A75	280~385								BROWN	
ESA-400A75	320~440								DK BLUE	
ESA-450A75	360~495								WHITE	
ESA-500A75	400~550								BLACK	
ESA-550A75	440~605								PURPLE	
ESA-600A75	480~660								BLUE	
ESA-700A75	560~770								DK RED	
*ESA-800A75	640~880								GREEN	
*ESA-1000A75	800~1100								DR GREY	
*ESA-1200A75	960~1320								YELLOW	
*ESA-1500A75	1200~1650								BLUE	
*ESA-1800A75	1440~1980								GREY	
*ESA-2000A75	1600~2200								---	
*ESA-2500A75	2000~2750	---								

\* TWO SPRING DESIGN, SMALL SPRING NEST INSIDE OUTER SPRING ☉ 2 TO 6 SPRINGS DESIGN ARE AVAILABLE.